



DATA SHEET

2016-05-07

Page 1 / 3

DAB PUMPS S. p. A.
Via Marco Polo, 14 - 35035 Mestrino (PD) - Italy
Ph. +39 049 9048811 - Fax +39 049 9048847
Http://www.dabpumps.com

Receiver

From

Societa
Reference
Address
Telephone
Fax
E-mail

Item no. 101110024

Pump data :

Model :
KPS 30/16 M
Impeller size 0 mm
Pressure rating : 6 bar (600 kPa)
Min. fluid temperature : -10 °C
Max. fluid temperature : 50 °C
Max. Temperature operating : 40 °C

Requested data :

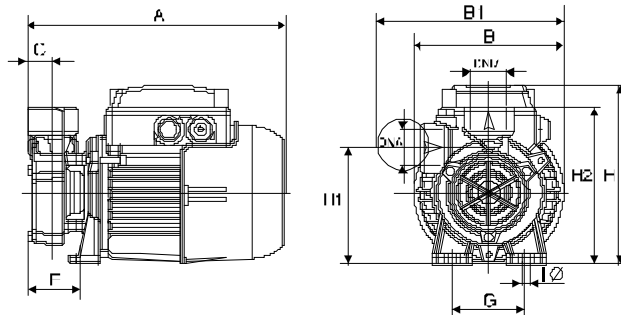
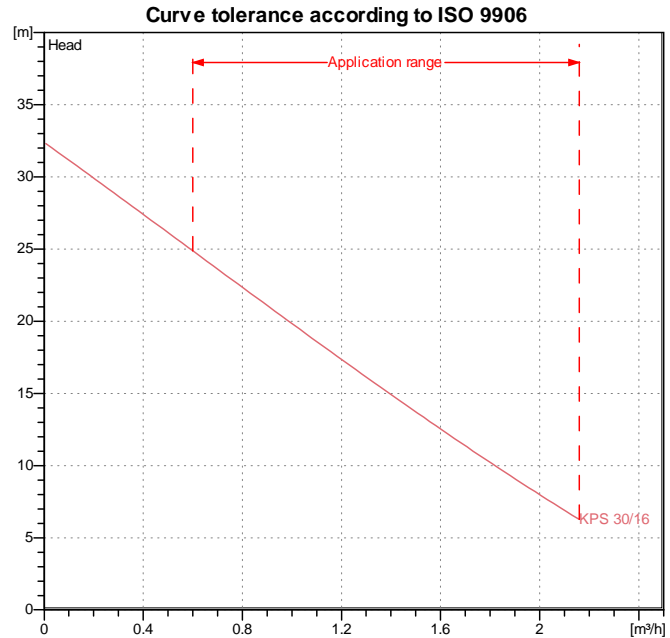
Flow 0.00 m³/h
Head 0.00 m
Fluid : Water, pure
Fluid Temperature : 20 °C
Density : 0.9983 kg/dm³
Kinematic viscosity 1.005 mm²/s
Vapor pressure : 2.34 kPa

Hydraulic data (duty point)

Flow
Head

Materials :

Pump body Cast iron 250 UNI ISO 185
Impeller Brass P Cu Zn40 Pb2 UNI 5705/65
Motor shaft AISI 416 X12 CrS 13 UNI 6900/71
OR ring Nbr
Cover Brass P Cu Zn40 Pb2 UNI 5705/65
Mechanical seal Carbon/Ceramic



Weight : 5.3 kg

Motor data :

Trade mark : DAB
Nominal power P2: 0.3 kW
Rated speed: 2800 1/min
Rated voltage : 1~ 230 V 50 Hz
Nominal current : 2 A
Degree of protection : IP 44

Dimension

mm

A	228	Ø	8
B	132		
B1	165		
C	22		
DNA	1" G		
DNM	1" G		
E	46		
G	65		
H	158		
H1	103		
H2	138		

Pump connection

Suction side 1" G / 6 bar (600 kPa)
Discharge side 1" G / 6 bar (600 kPa)



PERFORMANCE CURVES

2016-05-07

DAB PUMPS S. p. A.
Via Marco Polo, 14 - 35035 Mestrino (PD) - Italy
Ph. +39 049 9048811 - Fax +39 049 9048847
Http://www.dabpumps.com

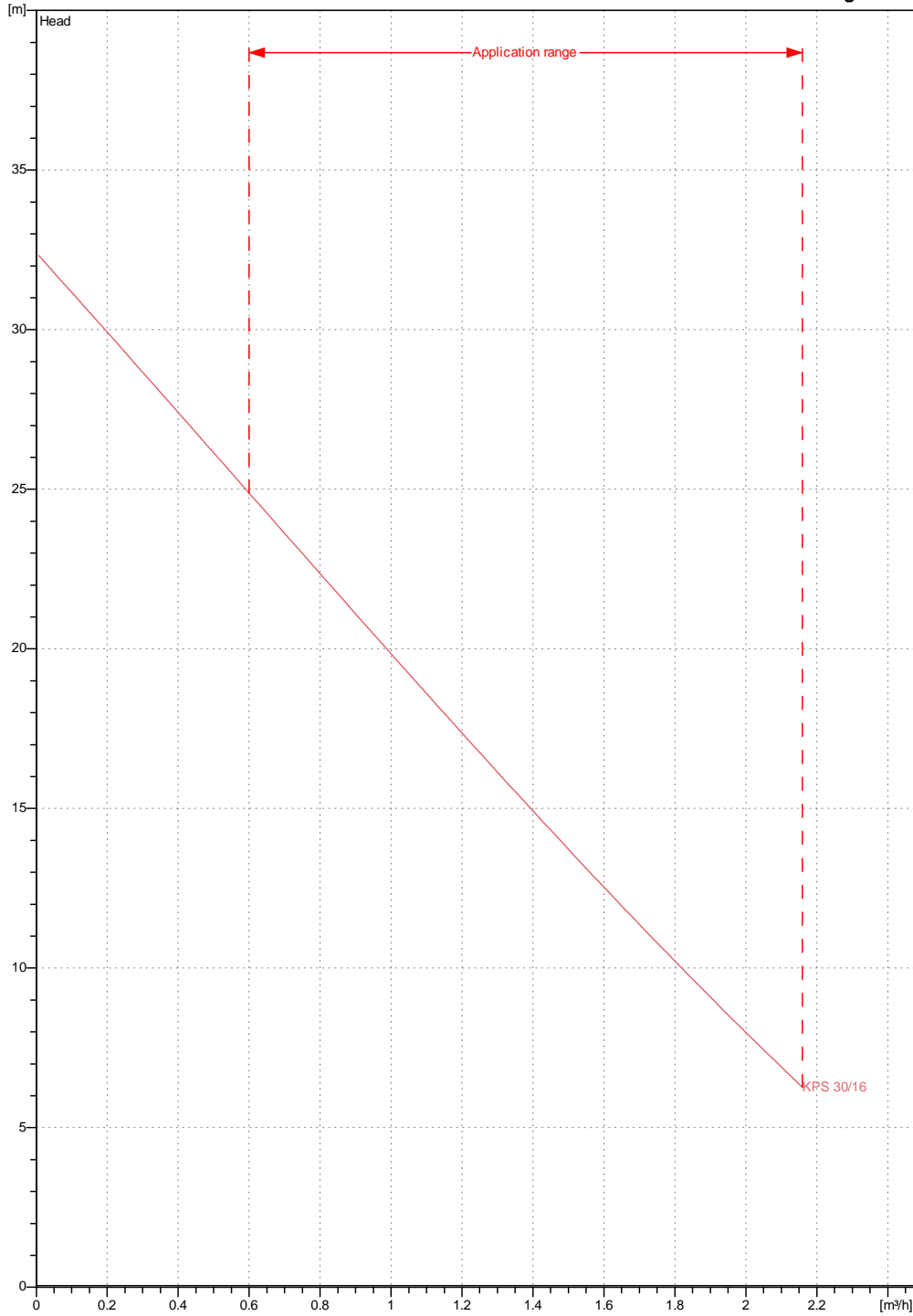
Receiver

From

Societa
Reference
Address
Telephone
Fax
E-mail

KPS 30/16 M

Curve tolerance according to ISO 9906



Hydraulic data (duty piont)

Suction side 1" G / 6 bar (600 kPa)	Discharge side 1" G / 6 bar (600 kPa)	Flow 0 m³/h	Head 0 m	Speed 2800 1/min
Project	Project ID	Created by	Created on 2016-05-07	

